

The BH & BVE Series

WORKS BEST UNDER PRESSURE

BV 500
Vertical Coil



BH 750
Horizontal Coil



Best Engineered

VERSATILITY

The BV and BH series are the most portable and maneuverable pressure washers in the industry. Versatility with features such as interchangeable wheel configurations allows you to accommodate your individual needs. These products are ideal for industrial and commercial cleaning applications.

SERVICEABILITY

RAMTEQ's top-quality, durable construction provides years of reliability. Designed with the user in mind, RAMTEQ's modular technology supports low operational costs through easy, efficient and effective service and upgrade paths. RAMTEQ products are designed and built for performance, dependability and low total cost of ownership.

VALUE

With RAMTEQ, you get more than just top-of-the-line products with the features and conveniences you want. You also get unmatched customer service and support from a company dedicated to innovative engineering and customer satisfaction.

NO WONDER CUSTOMERS
CHOOSE RAMTEQ.

Its Simply Done Right.™

RAMTEQ[®]
QUALITY PRESSURE WASHERS

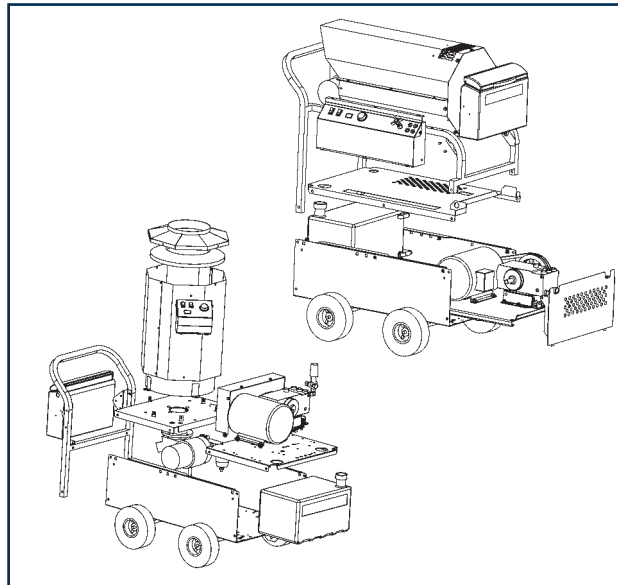


MODULAR DESIGN
SERVICEABILITY

WAYNE® BURNERS
RELIABILITY

**ALTERNATE WHEEL
CONFIGURATION**
PORTABILITY—MANEUVERABILITY

**FULL CHASSIS
UNDERCARRIAGE**
SAFETY



**SPLIT STAINLESS-STEEL
OUTER COIL WRAP**
RELIABILITY

**GENERAL® BELT DRIVE
TRIPLEX PLUNGER PUMPS**
RELIABILITY

BALDOR® MOTORS
RELIABILITY

**CROSS-LINKED
POLYETHYLENE FUEL TANK**
SAFETY—DURABILITY

SPECIFICATIONS

	500 SERIES	600 SERIES	750 SERIES	1000 SERIES
MOTOR HP	5.0 HP	6.0 HP	7.5 HP	10.0 HP
WATER PUMP VOLUME	3.8 GPM/14.4 LPM	4.2 GPM/16.0 LPM	3.5 GPM/13.3 LPM	4.8 GPM/18.2 LPM
OPERATING PRESSURE	2000 PSI/138.0 BARS	2,000 PSI/138.0 BARS	3,000 PSI/206.8 BARS	3,000 PSI/206.8 BARS
BTU^s PER HOUR:(MAXIMUM)	375,000	375,000	375,000	375,000
DIMENSIONS:				
BV SERIES	47.8"L, 32.3"W, 45.4"H	47.8"L, 32.3"W, 45.4"H	47.8"L, 32.3"W, 45.4"H	47.8"L, 32.3"W, 45.4"H
BH SERIES	47.8"L, 32.3"W, 44.9"H	47.8"L, 32.3"W, 44.9"H	47.8"L, 32.3"W, 44.9"H	47.8"L, 32.3"W, 44.9"H
GROSS SHIPPING WEIGHT:				
BV SERIES	630 LBS	630 LBS	680 LBS	715 LBS
BH SERIES	650 LBS	650 LBS	700 LBS	735 LBS

STANDARD FEATURES

- **BELT DRIVE TRIPLEX PLUNGER PUMP—GENERAL®**
- **BURNER - WAYNE®**
OIL FIRED (NO. 1 & NO. 2 DIESEL, KEROSENE, NO. 1 HOME HEATING OIL)
- **WHEEL CONFIGURATIONS**
SOLID CORE ROTATING FRONT CASTERS
WITH SOLID CORE FIXED REAR CASTERS
SOLID CORE FRONT ROTATING CASTERS
WITH REAR SPLIT RIM PNEUMATIC AXLE WHEELS
- **UPSTREAM CHEMICAL INJECTION**
- **SPLIT STAINLESS-STEEL OUTER COIL WRAP**
- **STEEL CHASSIS**
WITH TEXTURED POLYESTER POWDER COAT
- **POLYETHYLENE FLOAT TANK**
- **FUEL TANK, 9 GALLON CAPACITY**
WITH INTEGRATED CAP GAUGE AND STAINLESS-STEEL DIAL INDICATOR
- **36' GFCI POWER CORD ON SINGLE PHASE**
- **TRIGGER GUN CONTROL**
WAND ASSEMBLY WITH COOL GRIPS
- **NOZZLES (0°, 15°, 25°, 40°)**
- **50' HOSE — 3/8" ID**
INSULATED SINGLE BRAID HOSE WITH SWIVEL CONNECTOR
- **COIL: SCHEDULE 80**
- **ADJUSTABLE THERMOSTAT**
- **MAGNETIC STARTER**

Ramteq develops pressure washers with one thing in mind — you. The result is a series of products incorporating leading technologies, highest-quality components and unparalleled construction.

These products are engineered for reliability, performance and value. Another series of products Simply Done Right.™

UPGRADE PACKAGE (INCLUDES THE FOLLOWING)

- **AUTOSTART AND TIME DELAY SHUT DOWN**
- **HOURLY METER**
- **50' HOSE — 3/8" ID INSULATED DOUBLE BRAID HOSE WITH SWIVEL CONNECTOR**

We continue to evolve and enhance our product offerings and therefore pictures, features and specifications reflected on this brochure may vary slightly from current product. These may also vary slightly based on component and manufacturing tolerances. See authorized distributors for manufacturer installed options.

FLORIDA WATER BLAST, INC.
12995 Automobile Blvd. Clearwater, FL 33762
1-800-966-0614 - www.floridawaterblast.net