

The DV Series

WORKS

BEST

UNDER PRESSURE



DV1600
Vertical Skid

RAMTEQ[®]
QUALITY PRESSURE WASHERS

Best Engineered

VERSATILITY

The DV series of pressure washers offers a rugged 1¼ square tubular steel chassis. This chassis provides a stable skid mount configuration and is adaptable to a portable configuration with an optional wheel kit. These products are ideal for industrial and commercial cleaning applications.

SERVICEABILITY

RAMTEQ's top-quality, durable construction provides years of reliability. Designed with the user in mind, RAMTEQ's modular technology supports low operational costs through easy, efficient and effective service and upgrade paths. RAMTEQ products are designed and built for performance, dependability and low total cost of ownership.

VALUE

With RAMTEQ, you get more than just top-of-the-line products with the features and conveniences you want. You also get unmatched customer service and support from a company dedicated to innovative engineering and customer satisfaction.

NO WONDER CUSTOMERS
CHOOSE RAMTEQ.

Its Simply Done Right.[®]

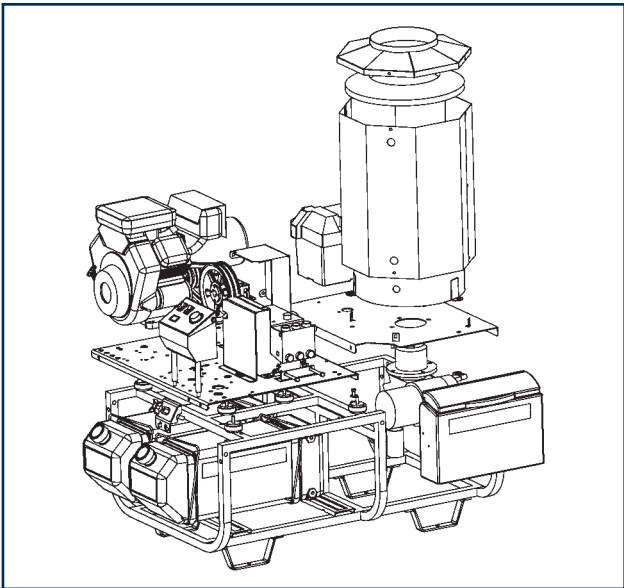


OVERHEAD VALVE ENGINES
RELIABILITY

BELT DRIVE TRIPLEX
PLUNGER PUMP—GENERAL®
RELIABILITY

1¼" SQUARE TUBULAR
STEEL FRAME
SERVICEABILITY—RELIABILITY

CROSS-LINKED
POLYETHYLENE FUEL TANKS
SERVICEABILITY—RELIABILITY



SPLIT STAINLESS STEEL
OUTER COIL WRAP
RELIABILITY

MODULAR DESIGN
SERVICEABILITY

WAYNE® BURNERS
RELIABILITY

STAINLESS-STEEL FUEL TANK
RESTRAINT STRAPS
SAFETY—DURABILITY

SPECIFICATIONS

	1600 SERIES	2000 SERIES	2500 SERIES
ENGINE HP	16.0 HP	20.0 HP	25.0 HP
WATER PUMP VOLUME	4.8 GPM/18.2 LPM 4.0 GPM/15.1 LPM	4.8 GPM/18.2 LPM 4.0 GPM/15.1 LPM	5.2 GPM/18.9 LPM 5.0 GPM/18.9 LPM
OPERATING PRESSURE	3000 PSI/206.8 BARS 4000 PSI/275.8 BARS	3500 PSI/241.3 BARS 4000 PSI/275.8 BARS	3500 PSI/241.2 BARS 4000 PSI/275.8 BARS
BTUS PER HOUR	390,000	390,000	390,000
DIMENSIONS	47.5"L, 32.5"W, 44.9"H	47.5"L, 32.5"W, 44.9"H	47.5"L, 32.5"W, 44.9"H
GROSS SHIPPING WEIGHT	590 LBS	610 LBS	710 LBS

STANDARD FEATURES

- BELT DRIVE TRIPLEX PLUNGER PUMP—GENERAL®
- BURNER - WAYNE®
OIL FIRED (NO. 1 & NO. 2 DIESEL, KEROSENE, NO. 1 HOME HEATING OIL)
- ENGINES - BRIGGS VANGUARD®, HONDA®, KOHLER®
- DOWNSTREAM DETERGENT INJECTION
- SPLIT STAINLESS-STEEL OUTER COIL WRAP
- 1¼" SQUARE TUBULAR STEEL CHASSIS
WITH TEXTURED POLYESTER POWDER COAT
- POLYETHYLENE FLOAT TANK
- COIL: SCHEDULE 80
- FUEL TANKS, 10 GALLON CAPACITY
WITH INTEGRATED CAP GAUGE AND STAINLESS-STEEL DIAL INDICATOR
- TRIGGER GUN CONTROL
WITH DUAL LANCE WAND
- NOZZLES (0°, 15°, 25°, 40°)
- 50' HOSE — 3/8" ID
INSULATED SINGLE OR DOUBLE BRAID HOSE WITH SWIVEL CONNECTOR
- ADJUSTABLE THERMOSTAT

Ramteq develops pressure washers with one thing in mind — you. The result is a series of products incorporating leading technologies, highest-quality components and unparalleled construction. These products are engineered for reliability, performance and value. Another series of products Simply Done Right.™

UPGRADE PACKAGE (INCLUDES THE FOLLOWING)

- GENERATOR WITH WAYNE® 115V BURNER
- HOUR METER
- 50' HOSE — 3/8" ID INSULATED DOUBLE BRAID HOSE WITH SWIVEL CONNECTOR
- UPSTREAM CHEMICAL METERING WITH POLYETHYLENE FLOAT TANK AND SINGLE LANCE WAND (REPLACES DOWNSTREAM CHEMICAL METERING)
- THE DV2500 COMES IN AN UPGRADE CONFIGURATION ONLY

We continue to evolve and enhance our product offerings and therefore pictures, features and specifications reflected on this brochure may vary slightly from current product. These may also vary slightly based on component and manufacturing tolerances. See authorized distributors for manufacturer installed options.

FLORIDA WATER BLAST, INC
12995 Automobile Blvd.
Clearwater, FL 33762
Wk. # 1-800-966-0614
Fax # 1-727-572-9926
www.floridawaterblast.net